



AT-BTAM6-6090-25

High Power Bench-Top Active Multiplier x6

Full E Band Active Multiplier, Bench-Top, Pout=+25dBm, WR-12

2022-9-1

Product Overview



AT-BTAM6-6090-25 is a high power, full E band, active x6 frequency multiplier. The multiplier has an input frequency of 10 to 15 GHz with a typical output +25dBm from 60-90GHz.

The integrated input and output buffers deliver high output power at a low drive level. The multiplier also has a typical harmonic suppression of -20dBc. The input port is SMA female, and the output is a WR-12 waveguide with a standard UG-387 flange. Other port configurations are available under different requirement.

More information, please visit www.atmicrowave.com

Advantages

- ✓ Frequency: 60-90GHz
- ✓ Pout: +25dBm typical
- ✓ Input: 10-15GHz, +3dBm
- ✓ Bench-Top Labs Test
- ✓ Low Harmonics

Application

- ✓ E band Communication
- ✓ FOD (Foreigner Objects Debris)
- ✓ Test Equipment
- ✓ ROF (RF Over Fiber)
- ✓ Radar System

Key Features

Parameter	Min	Typical	Max
Input Frequency	10GHz		15GHz
Input Power	+0dBm	+3dBm	+10dBm
Multiplier Factor		X6	
Output Frequency	60GHz		90GHz
Output Power	+24dBm	+25dBm	
X5/X7 Suppression vs X6 Pout		-20dBc	
Power Supply	90V	110-220V	240V
Spec Temp		25C	



Shanghai AT Microwave Limited

Tel:021-6229 1233 sales@atmicrowave.com

www.atmicrowave.com





AT-BTAM6-6090-25

High Power Bench-Top Active Multiplier x6

Mechanical Information:

Parameter	Value
IF Input Port	SMA Female
RF Output Port	WR-12
Power Supply	90v to 240V AC to DC Power Converter included
DC Bias Switch	ON-OFF switch with light indicator
Weight	2.5KG
Dimension	See outline

Absolute Maximum Ratings Table

Parameter	Value
Power Supply	+90 to 260V
IF Input Power	+15dBm
Operating Temperature	0 to +50C
Storage Temperature	-65 to +150C

Notes:

1. Datasheet may be changed according to update of MMIC, Raw materials , process, and so on.
2. This data is only for reference, not for guaranteed specifications.
3. Please contact AT Microwave team to make sure you have the most current data.



Shanghai AT Microwave Limited
Tel:021-6229 1233 sales@atmicrowave.com
www.atmicrowave.com



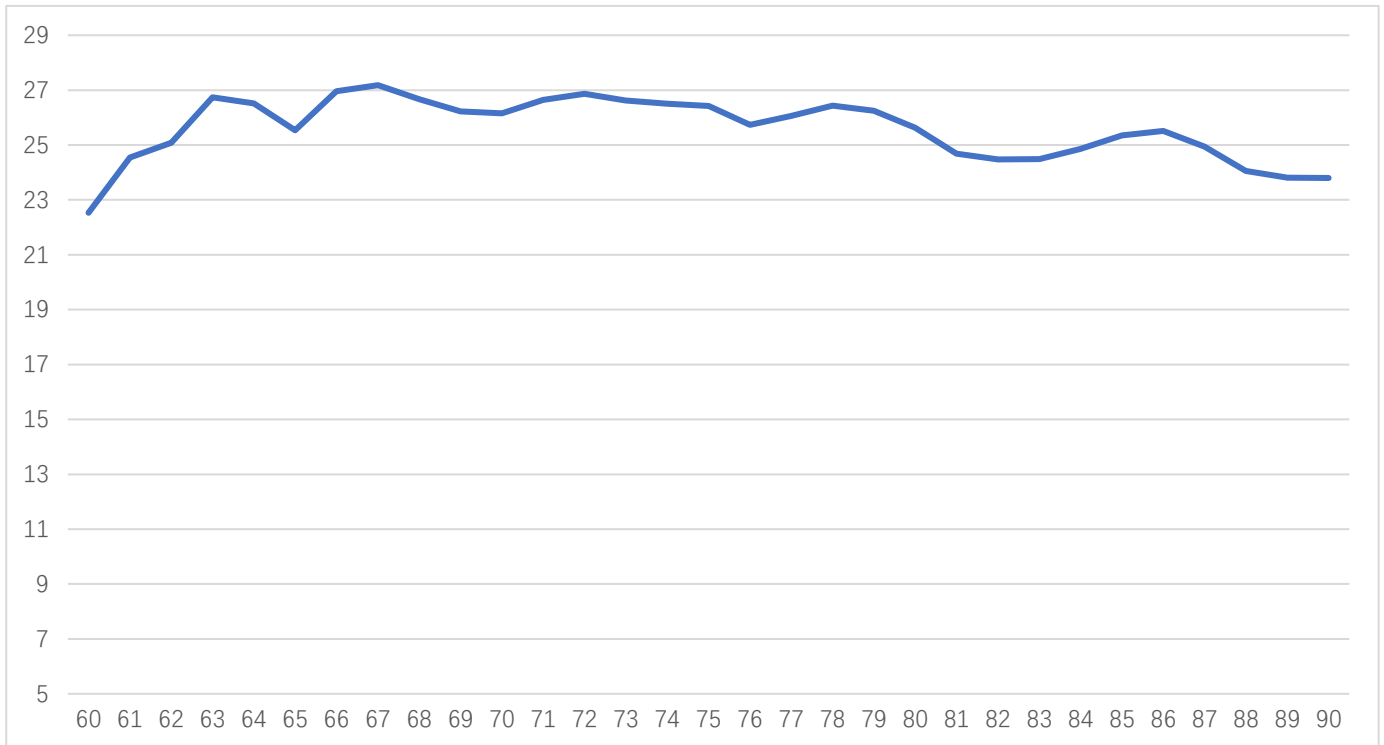


AT-BTAM6-6090-25

High Power Bench-Top Active Multiplier x6

Test Data (25C)

Please note that test curves will vary slightly from unit to unit.



Pout vs Frequency



Shanghai AT Microwave Limited
Tel:021-6229 1233 sales@atmicrowave.com
www.atmicrowave.com



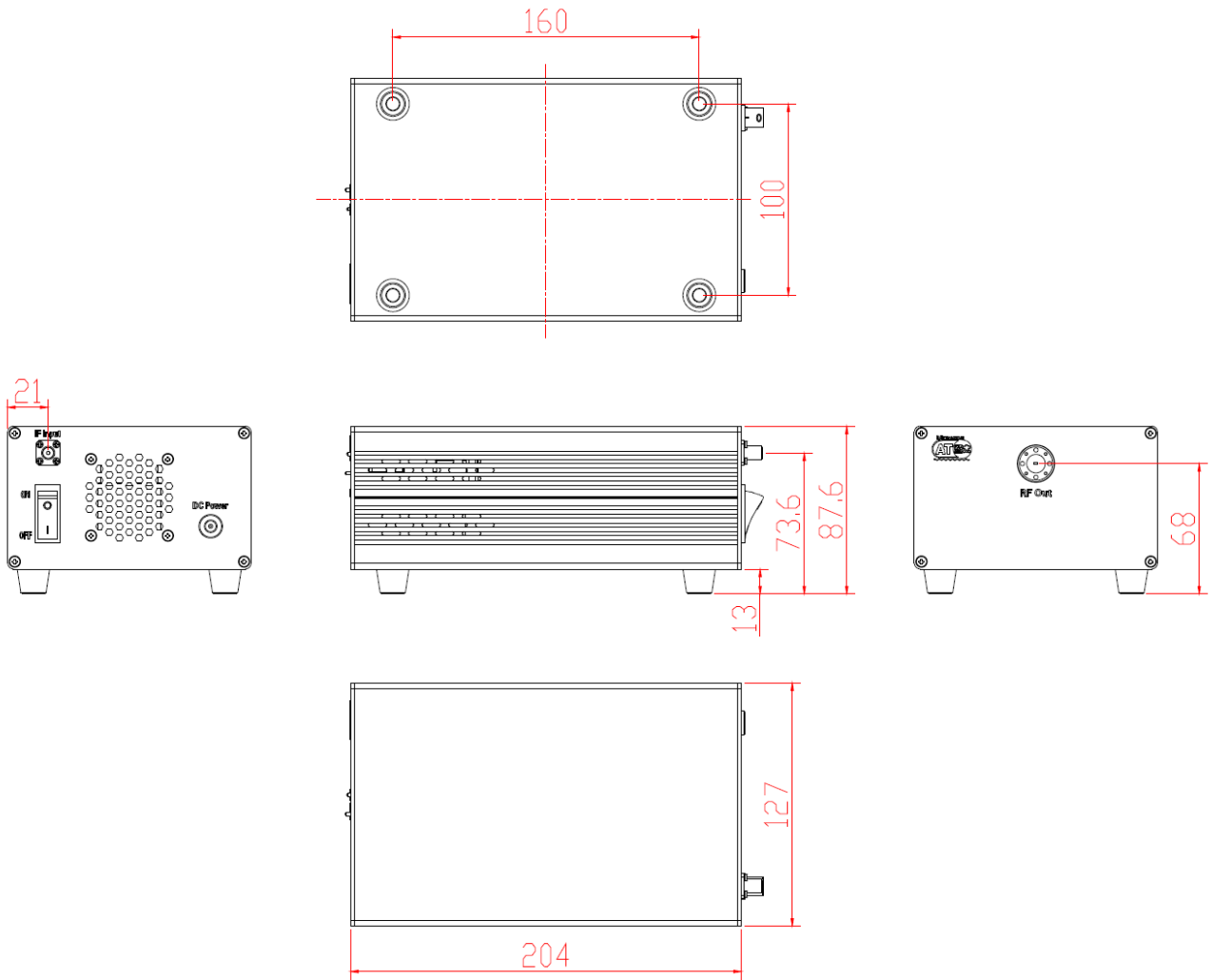


AT-BTAM6-6090-25

High Power Bench-Top Active Multiplier x6

Dimension(mm)

The bottom of the bench-top product is with four support foot pads in default.
Mounting bracket option is available according to request.



Shanghai AT Microwave Limited
Tel:021-6229 1233 sales@atmicrowave.com
www.atmicrowave.com

